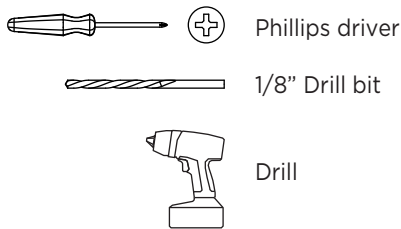


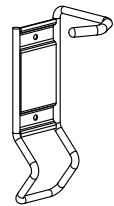
SOLO BIKE HOOK | B-1R INSTRUCTIONS

WWW.RACORSTORAGESOLUTIONS.COM

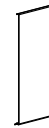
TOOLS REQUIRED



PARTS LIST



x1 Bike Hook



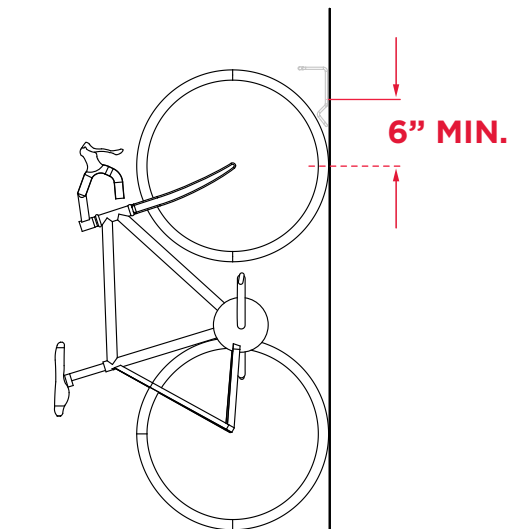
x1 Bike Hook Cover



x2 2" (5 cm) wood screws

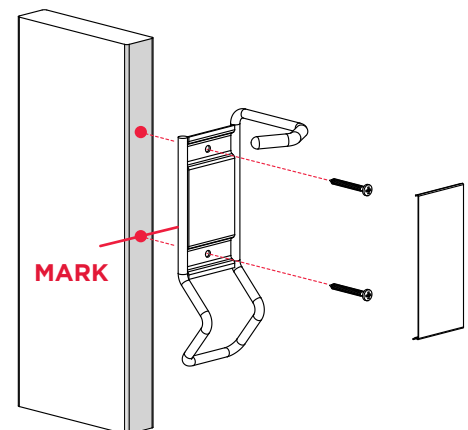
WARNING

Please read installation instructions carefully prior to installing. Before using the product thoroughly test the fully-weighted product (with equipment in place) to ensure the product has been installed properly. Do not allow children to play on product. ITW Brands is not responsible for any damage resulting from improper installation, overloading or product failure.



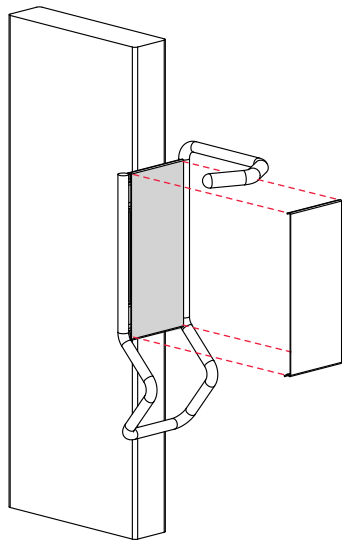
- 1 Stand your longest bike on its rear tire with both tires against wall.

Make a mark at least 6" up from where front tire touches wall to allow rear tire to clear ground.

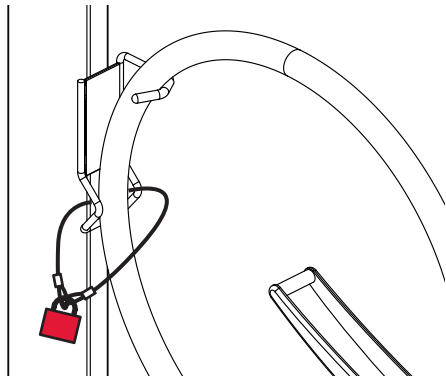


- 2 Both wood screws must be fastened into a stud inside the wall.

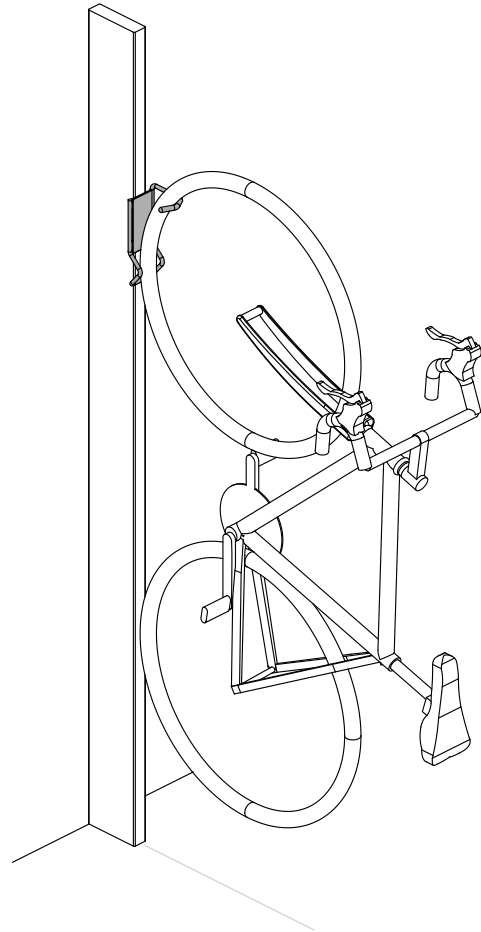
Mark holes through rack mounting plate, drill 1/8" pilot holes and install screws into stud. Tighten screws firmly.



3 Snap cover into place.



4 Optional: use a lock for security.



A **USING THE BIKE HOOK**

Hook the front bike tire behind the hook and allow the bike to hang vertically.

Limited Warranty: These products are sold "as is" without any express or implied warranties. ITW Brands' sole liability, if any, shall be to replace this product or refund the purchase price. The performance of these products is subject to variable conditions and maximum load ratings are shown for comparison purposes only.

B-1R

Made in China

ITW Brands, A division of Illinois Tool Works Inc.

955 National Parkway, Suite 95500

Schaumburg, IL 60173

800-783-7725

www.RacorStorageSolutions.com

Email: racorcs@itwbrands.com

© 2011 Illinois Tool Works Inc.

Racor and Racor logo are registered trademarks of Illinois Tool Works Inc.

racor[®]
HOME STORAGE PRODUCTS

Thank you for purchasing this product. Racor storage and organizational solutions will inspire and put you back in control of your space. Racor has the largest variety of solutions to organize and store bikes, sports equipment, lawn and garden supplies, bulky items like ladders and totes, and clutter items like tools. Please visit www.RacorStorageSolutions.com for other great organizational products.