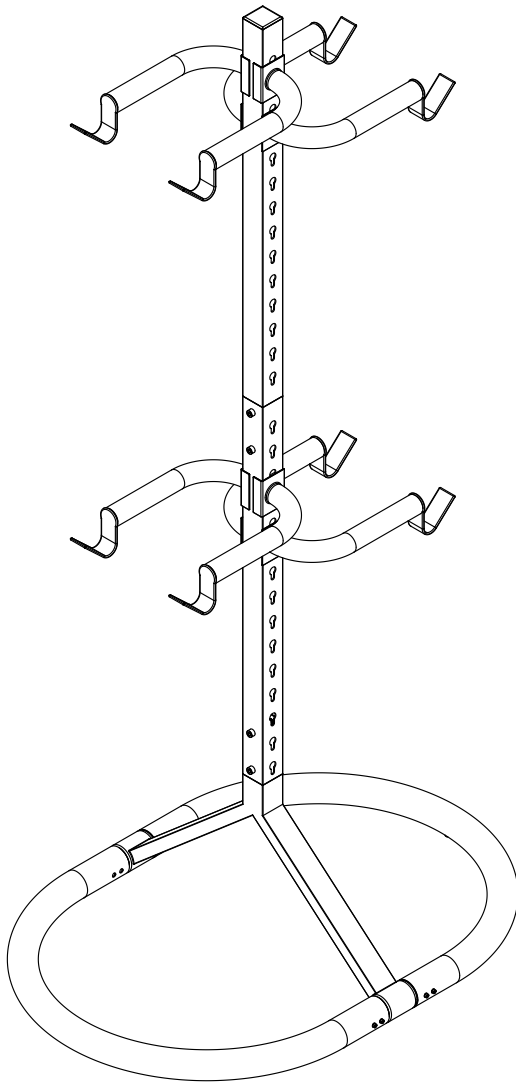


# RACOR<sup>®</sup>

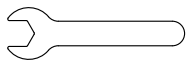
HOME STORAGE PRODUCTS



## FREE STANDING BIKE RACK | PLB-4R INSTRUCTIONS

[WWW.RACORSTORAGESOLUTIONS.COM](http://WWW.RACORSTORAGESOLUTIONS.COM)

### TOOLS REQUIRED



Hex wrench

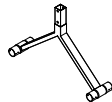


Allen wrench  
(included)

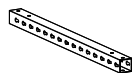
### PARTS LIST



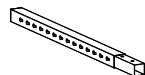
x2 Curved base



x1 V frame



x1 Straight bottom section



x1 Straight top section



x8 Universal arms



x6 Rubber feet



x4 Long hex socket cap screw



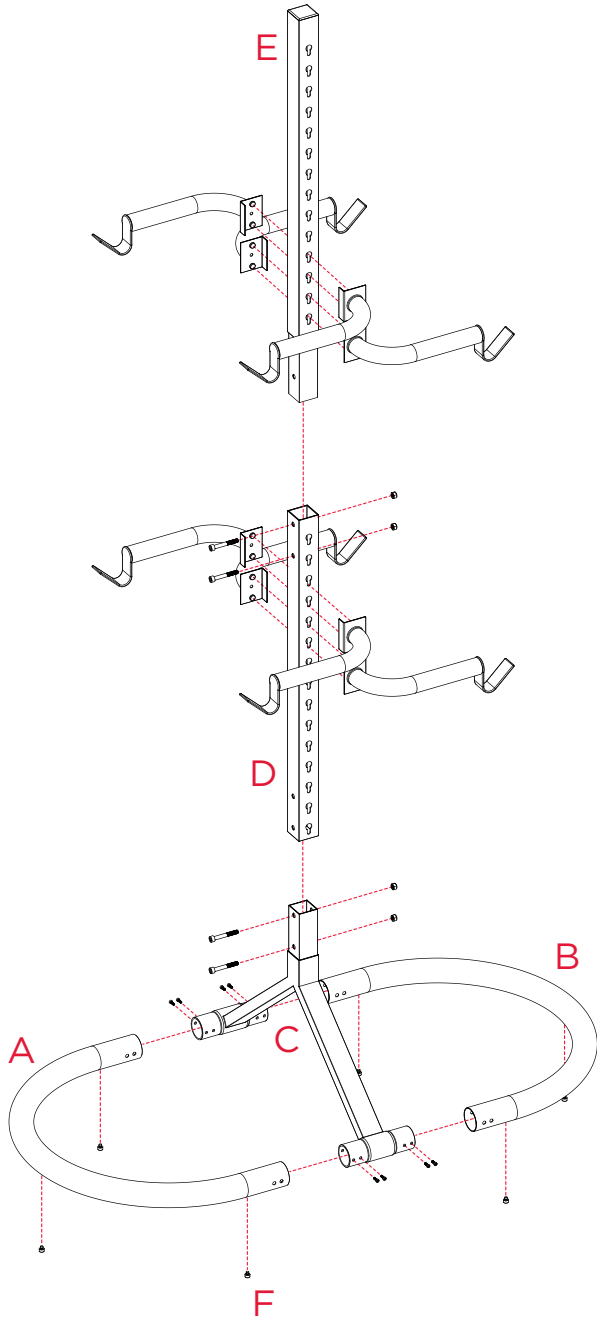
x8 Short hex socket cap screw



x4 Hex nut

## WARNING

Please read installation instructions carefully prior to installing. Before using the product thoroughly test the fully-weighted product (with equipment in place) to ensure the product has been installed properly. Do not allow children to play on product. ITW Brands is not responsible for any damage resulting from improper installation, overloading or product failure.



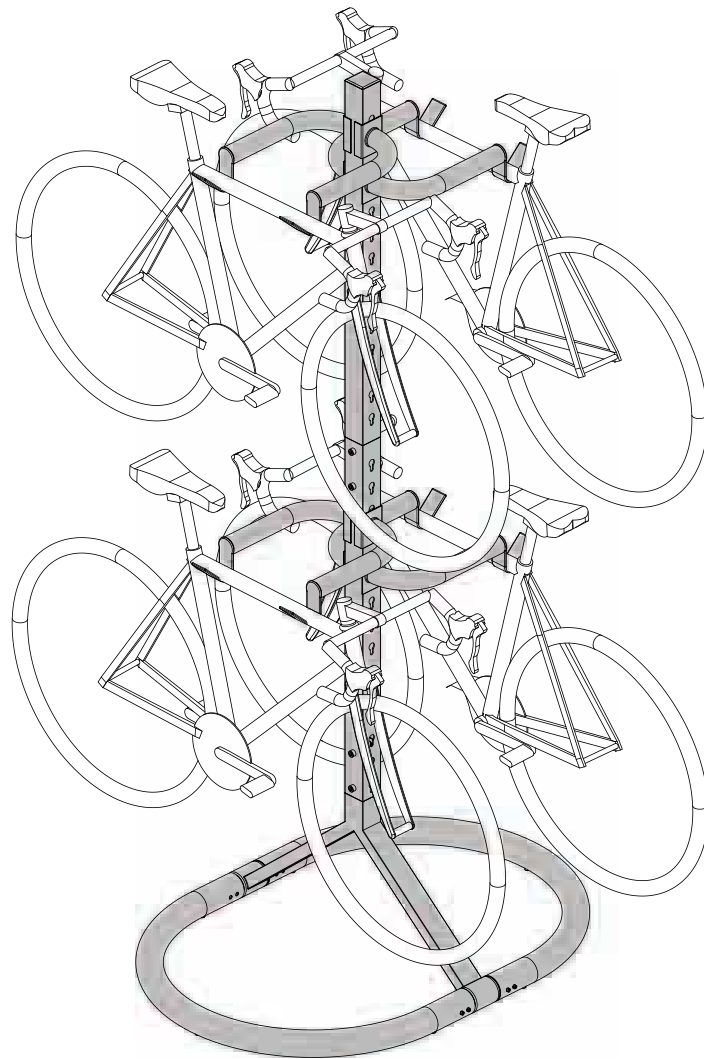
- 1 Set curved base sections **A** and **B** on floor and slide into support section **C**. Use eight screws to fasten.

To protect floor attach feet (**6F**) to bottom of assembly, as shown.

- 2 Slide straight section **D** and **E** over support section **C** as shown, making sure section **E** is on top.

- 3 Fasten using 4 screws and nuts.

- 4 Fasten universal arms into key holes as shown. Push in and then down to secure. This step will take some adjustment to each arm as bikes will vary in size.



### **A USING THE BIKE RACK**

Fitting all four bikes on at once will require adjustments for all to fit properly. Take your time and make all adjustments carefully. Make sure you place the same bike on the same arms in the same direction each time you store the bike.

**Limited Warranty:** These products are sold "as is" without any express or implied warranties. ITW Brands' sole liability, if any, shall be to replace this product or refund the purchase price. The performance of these products is subject to variable conditions and maximum load ratings are shown for comparison purposes only.

### **PLB-4R**

Made in China

ITW Brands, A division of Illinois Tool Works Inc.

955 National Parkway, Suite 95500

Schaumburg, IL 60173

800-783-7725

[www.RacorStorageSolutions.com](http://www.RacorStorageSolutions.com)

Email: [racorcs@itwbrands.com](mailto:racorcs@itwbrands.com)

© 2011 Illinois Tool Works Inc.

Racor and Racor logo are registered trademarks of Illinois Tool Works Inc.

**racor**<sup>®</sup>  
HOME STORAGE PRODUCTS

Thank you for purchasing this product. Racor storage and organizational solutions will inspire and put you back in control of your space. Racor has the largest variety of solutions to organize and store bikes, sports equipment, lawn and garden supplies, bulky items like ladders and totes, and clutter items like tools. Please visit [www.RacorStorageSolutions.com](http://www.RacorStorageSolutions.com) for other great organizational products.