

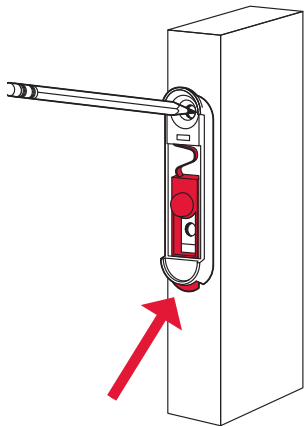
The easy way to get stuff from the place where you store it, to the place where you use it.

### HOSE STORAGE HANGER | SHR-1B INSTRUCTIONS

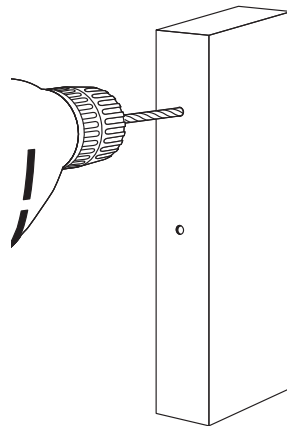
[WWW.RACORSTORAGESOLUTIONS.COM](http://WWW.RACORSTORAGESOLUTIONS.COM)

## Mounting Instructions *Installing and customizing your storage is a snap!*

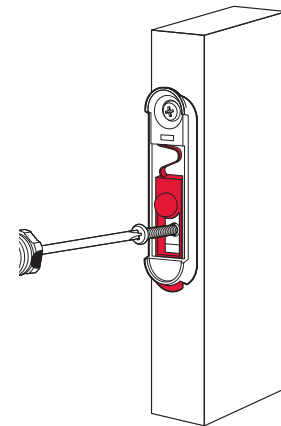
**WARNING** Please read installation instructions carefully prior to installing. Before using the product thoroughly test the fully-weighted product (with equipment in place) to ensure the product has been installed properly. Do not allow children to play on product. ITW Brands is not responsible for any damage resulting from improper installation, overloading or product failure.



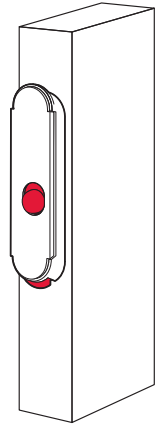
- 1** Place WallDock on wall with the red tab pointing down. Mark location of mounting holes.



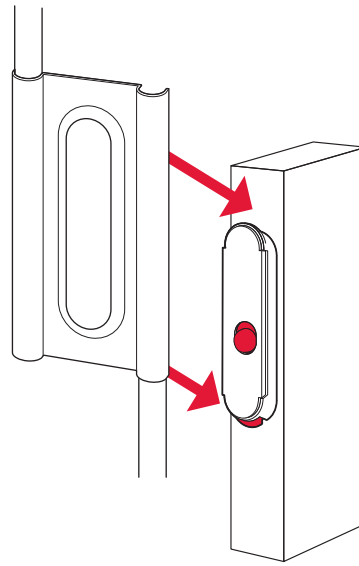
- 2** Pre-drill 1/8" mounting holes.



- 3** Secure WallDock to stud with 2 screws provided.



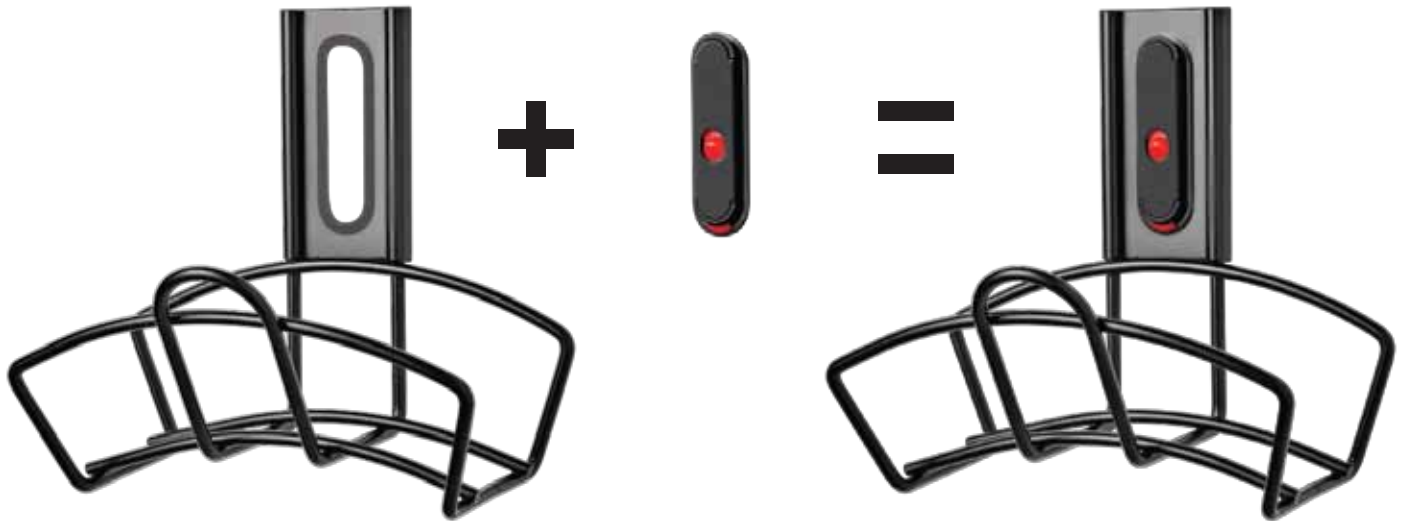
**4** Press cover over WallDock until it snaps into place.



**5** Slide Hose Storage Hanger over WallDock until it snaps into position.

## NOTE

When installed properly into a wooden stud, WallDock Hangers and Hooks will hold over 50 lbs. When installing on drywall, locate the stud behind the drywall and drill screws through the drywall and into the stud for best results.



Once the WallDock is securely mounted, just snap the Hose Storage Hanger over the WallDock so it snaps behind the red tab. The Hose Storage Hanger can be removed by pushing up on the red button. It's easy to take it with you or snap it onto another WallDock to change location.

**Limited Warranty:** These products are sold "as is" without any express or implied warranties. ITW Brands' sole liability, if any, shall be to replace this product or refund the purchase price. The performance of these products is subject to variable conditions and maximum load ratings are shown for comparison purposes only.

## SHR-1B

Made in China

ITW Brands, A division of Illinois Tool Works Inc.

955 National Parkway, Suite 95500

Schaumburg, IL 60173

800-783-7725

[www.RacorStorageSolutions.com](http://www.RacorStorageSolutions.com)

Email: [racorcs@itwbrands.com](mailto:racorcs@itwbrands.com)

© 2011 Illinois Tool Works Inc.

Racor and Racor logo are registered trademarks of Illinois Tool Works Inc.

**racor**<sup>®</sup>  
HOME STORAGE PRODUCTS

Thank you for purchasing this product. Racor storage and organizational solutions will inspire and put you back in control of your space. Racor has the largest variety of solutions to organize and store bikes, sports equipment, lawn and garden supplies, bulky items like ladders and totes, and clutter items like tools. Please visit [www.RacorStorageSolutions.com](http://www.RacorStorageSolutions.com) for other great organizational products.

## The Racor Snap2It Family of Products

All items fit on the standard WallDock



### Hose Storage Hanger | SHR-1B

Securely hold garden hose, pool hose, and more.



### Tool Hanger | STH-1B

Securely holds 3 long handled tools.



### Multi-Use Hanger | SMH-2B

Securely holds ladders, lawn furniture, extension cords and more.



### Vertical Storage Hook | SVS-1B

Securely holds bikes, power tools, garden supplies and more.



### Catch-All Basket | SNB-1B

Securely holds cleaning supplies, garden tools, paint cans, and more.



### Cord Wrap | SCW-1B

Securely holds extension cords, rope, or chain



### Utility Hook | SUH-2B

Securely holds power tools, garden supplies, and more



### WallDock 3-Pack | SWD-3B

Additional WallDocks for use with Snap2It Hooks, Hangers, and Baskets