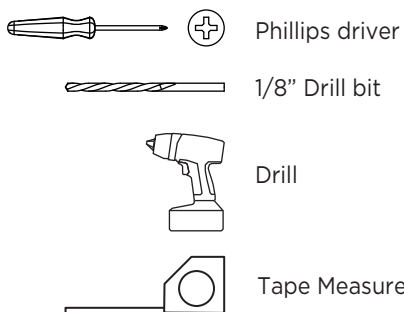


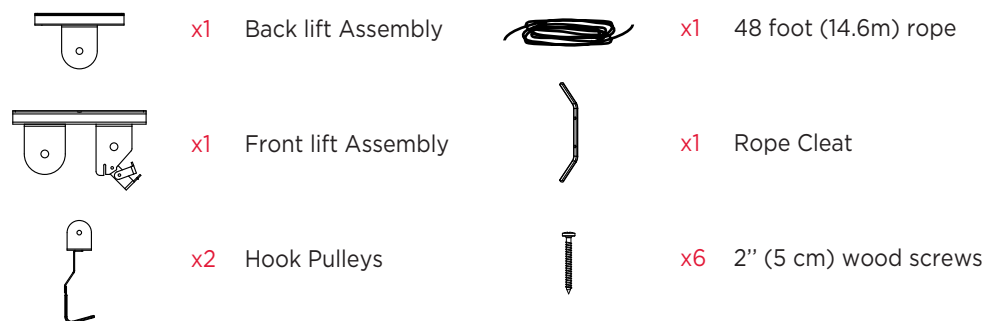
BIKE LIFT | PBH-1R INSTRUCTIONS

WWW.RACORSTORAGESOLUTIONS.COM

TOOLS REQUIRED

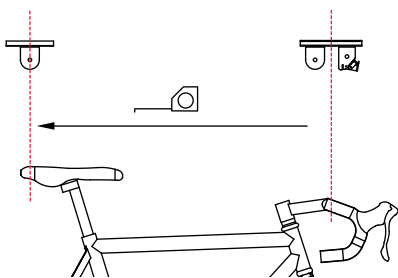


PARTS LIST

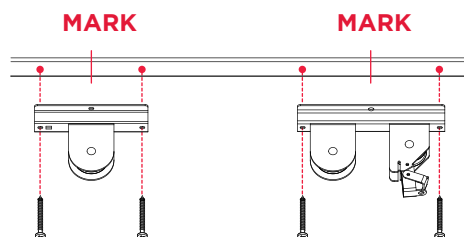


WARNING

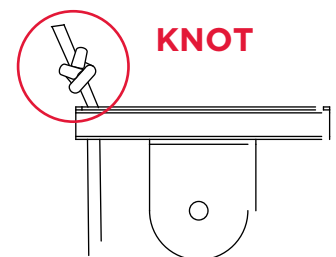
Please read installation instructions carefully prior to installing. Before using the product thoroughly test the fully-weighted product (with equipment in place) to ensure the product has been installed properly. Do not allow children to play on product. ITW Brands is not responsible for any damage resulting from improper installation, overloading or product failure.



- 1 Measure the distance between the handle bars and seat of the bike. Mark that distance on ceiling joist(s).

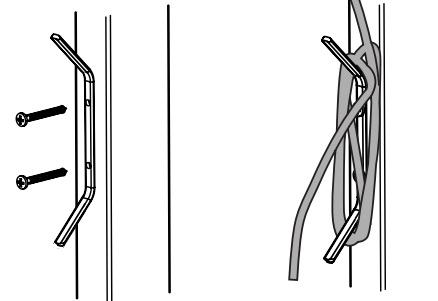
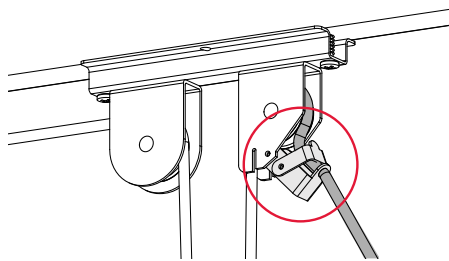
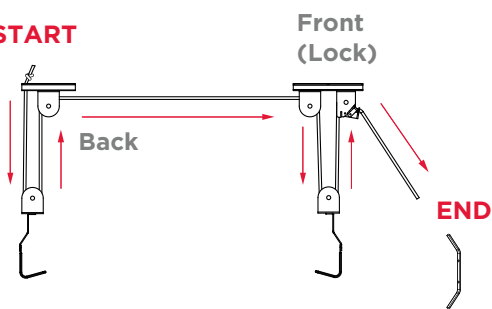


- 2 Use two wood screws each to mount the back pulley and the front pulley to the ceiling, ensuring the distance between the two matches the measurement made in step 1. Pre-drilling 1/8 in. pilot holes in the ceiling will make mounting the pulleys easier.



- 3 Feed rope through square hole on the back lift assembly. Tie a double knot as shown. The knotted end will be between joist/ceiling and lift assembly.

START



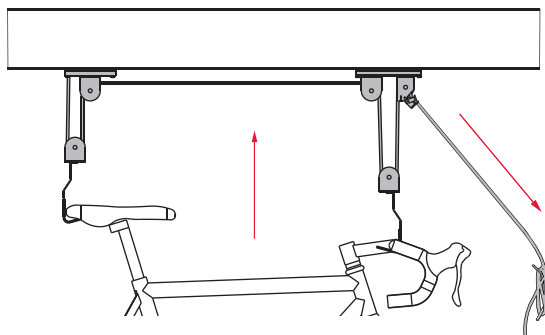
- 4** Thread the rope through the pulleys as shown.

- 5** Thread the rope down through both parts of the locking mechanism.

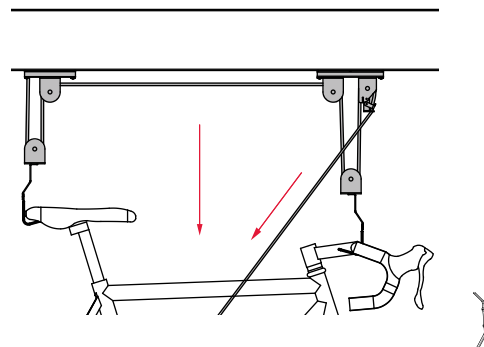
- 6** Use 2 wood screws to mount the rope cleat to the wall. When the bike is up to the ceiling, the excess rope should be stored in the cleat.

OVERHEAD WARNING

Make sure that there are no obstructions to restrict operation of the bike lift; e.g. cars, equipment, garage doors, misc. items, etc.



- A** **USING THE BIKE LIFT**
Hook the bike handlebar and seat with the hooks and be sure the ropes are not twisted. The bike can now be raised to the ceiling by the pulling rope. The rope will lock in place with each pull, preventing the bike from falling. For safety, tie the rope on the cleat and wind the excess rope around it. **DO NOT CUT THE ROPE.**



- B** **LOWERING THE BIKE**
Pull the rope towards the back lift assembly maintaining tension on rope. The tension will keep the locking mechanism open and the bike will be able to lower. Slowly let the rope out as the bike lowers. Once the bike is low enough, remove it from the hooks and tie the rope back to the cleat.

Limited Warranty: These products are sold "as is" without any express or implied warranties. ITW Brands' sole liability, if any, shall be to replace this product or refund the purchase price. The performance of these products is subject to variable conditions and maximum load ratings are shown for comparison purposes only.

PBH-1R

Made in China

ITW Brands, A division of Illinois Tool Works Inc.
955 National Parkway, Suite 95500
Schaumburg, IL 60173
800-783-7725
www.RacorStorageSolutions.com
Email: racorcs@itwbrands.com

© 2011 Illinois Tool Works Inc.
Racor and Racor logo are registered trademarks of Illinois Tool Works Inc.

racor
HOME STORAGE PRODUCTS

Thank you for purchasing this product. Racor storage and organizational solutions will inspire and put you back in control of your space. Racor has the largest variety of solutions to organize and store bikes, sports equipment, lawn and garden supplies, bulky items like ladders and totes, and clutter items like tools. Please visit www.RacorStorageSolutions.com for other great organizational products.